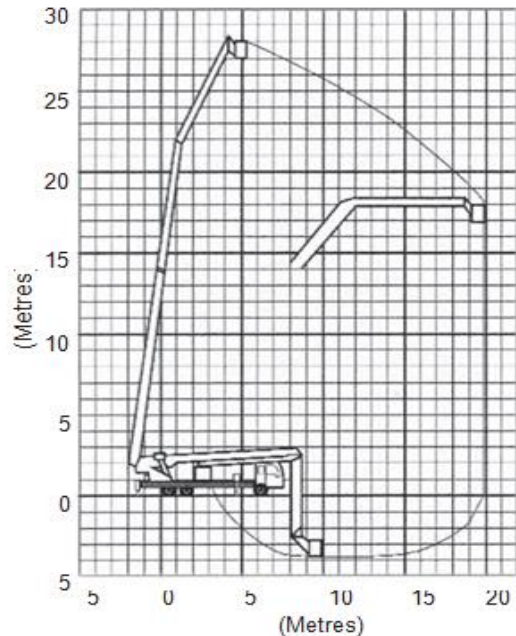


28m GLOVE & BARRIER TRAVEL TOWER

For more information on this equipment
or if you require a free onsite inspection,
contact our team

1300 36 2666

Range Chart



Specifications

Max working height	28.50m
Max working radius	15.00 m
Max working radius (max height)	5.00 m
Safe working load	350 kg
Stabiliser spread	5.00 m
Max working depth below ground	3.00 m
Travelling height	4.00 m
Travelling width	2.40 m
Travelling length	11.00 m
Overall weight (approx.)	15000 kg

Insulated units available