

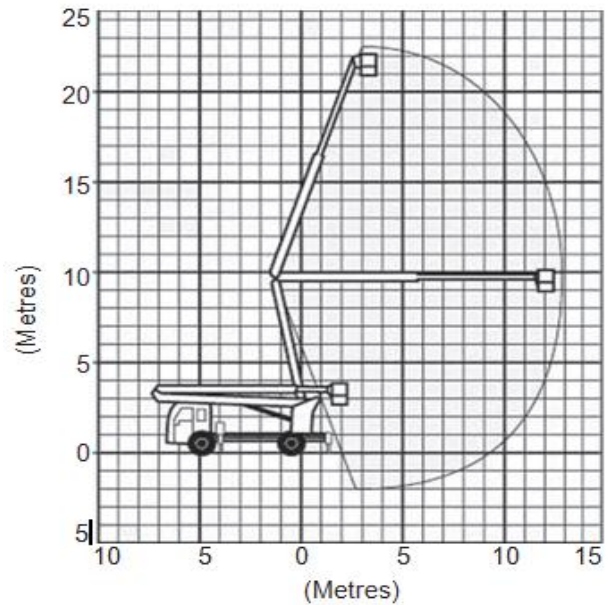
23m

TRAVEL TOWER

For more information on this equipment
or if you require a free onsite inspection,
contact our team

1300 36 2666

Range Chart



Specifications

Max working height	23.00m
Max working radius	13.00 m
Max working radius (max height)	4.50 m
Safe working load	250 kg
Stabiliser spread	4.30 m
Travelling height	3.70 m
Travelling width	2.50 m
Travelling length	9.50 m
Overall weight (approx.)	13000 kg

Also available in Bogie Drive