



YOUR EWVP SOLUTIONS GUIDE

BOOM
LOGISTICS

At BOOM Logistics we're much more than just an elevated work platform supplier.

For more than 40 years now we've been offering tailored EWP solutions from a comprehensive equipment fleet Australia-wide; backed by on-call sales and service assistance; reliable solutions and one of the safest working practices in the industry.

GRADEABILITY CONVERSION

Gradeability	5%	10%	15%	20%	25%	30%	35%	40%	45%	50%	55%	60%
Degrees	2.86	5.71	8.53	11.31	14.04	16.70	19.29	21.80	24.23	26.57	28.81	30.96

PLEASE NOTE

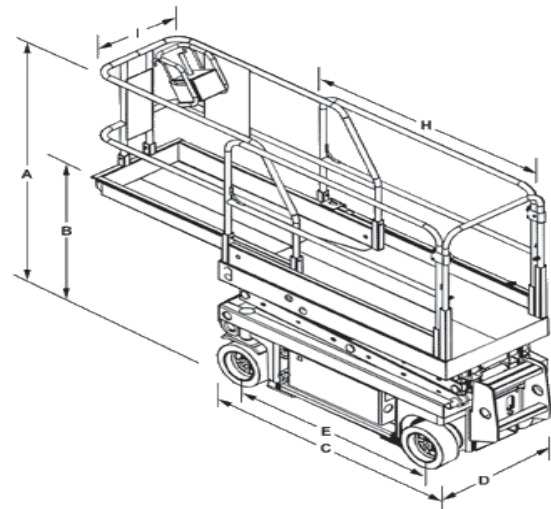
Every effort has been made to accurately specify our equipment in the following pages. Due to availability of equipment actual makes & models supplied may vary from what is indicated. BOOM Logistics specifies "Working Height" as a standard additional height of 6ft (1.8m) above the manufacturer's specified platform height.

19' SCISSOR LIFT ELEC

Range Chart

For more information on this equipment or if you require a free onsite inspection, contact our team

1300 36 2666



Specifications

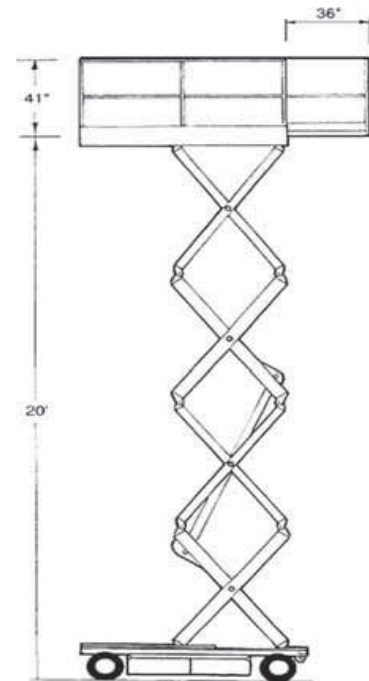
	Working height	7.60 m
	Platform height	5.80 m
H	Platform length (extended)	1.58 m
I	Platform width	0.65 m
	Safe working load	227 kg
E	Wheelbase	1.32 m
	Drive speeds (stowed)	4.00 km/h
	Drive speeds (raised)	1.00 km/h
	Gradeability (stowed)	30 %
	Turning radius (inside)	zero
	Turning radius (outside)	1.55 m
A	Stowed height (guardrails)	2.01 m
B	Stowed height (platform)	0.98 m
C	Stowed length	1.83 m
D	Stowed width	0.76 m
	Overall weight (approx.)	1454 kg
	Indoor use only	

20' NARROW SCISSOR LIFT ELEC

For more information on this equipment or if you require a free onsite inspection, contact our team

1300 36 2666

Range Chart



Specifications

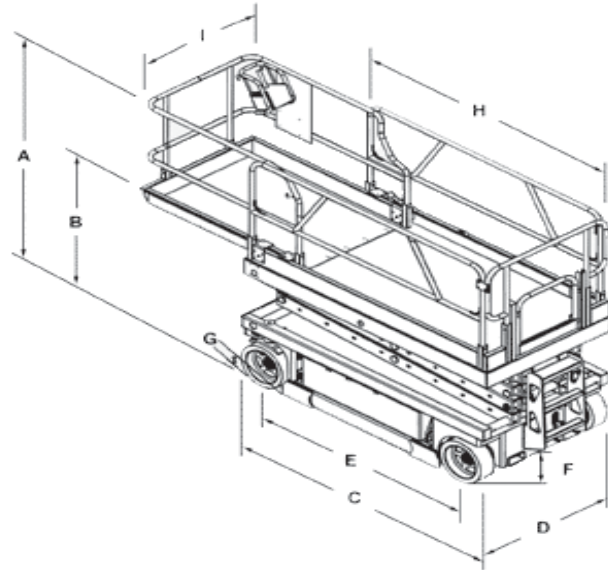
Working height	7.90 m
Platform height	6.10 m
Platform length	2.26 m
Platform width	0.79 m
Safe working load	363 kg
Wheelbase	1.85 m
Clearance (machine centre)	0.10 m
Clearance (pot hole guard down)	0.02 m
Gradeability	30 %
Turning radius (inside)	zero
Turning radius (outside)	2.34 m
Stowed height (guardrails)	2.00 m
Stowed height (platform)	0.98 m
Stowed length	2.44 m
Stowed width (platform)	0.81 m
Overall weight (approx.)	2044 kg

20' WIDE SCISSOR LIFT ELEC

Range Chart

For more information on this equipment or if you require a free onsite inspection, contact our team

1300 36 2666



Specifications

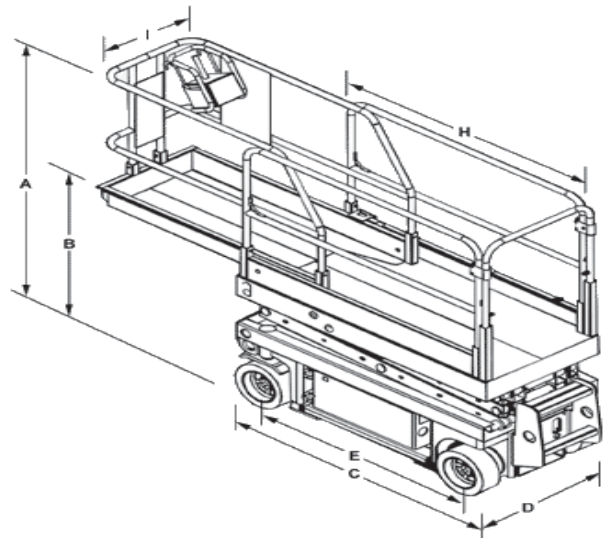
	Working height	8.20 m
	Platform height	6.37 m
	Platform length (extended)	3.26 m
I	Platform width	1.17 m
	Safe working load	544 kg
E	Wheelbase	1.85 m
	Drivespeed (stowed)	3.50 km/h
	Drivespeed (raised)	0.70 km/h
	Gradeability	30 %
	Turning radius (inside)	zero
	Turning radius (outside)	2.33 m
A	Stowed height (guardrails)	1.82 m
C	Stowed length	2.44 m
D	Stowed width (platform)	1.16 m
	Overall weight (approx.)	1951 kg

26' SCISSOR LIFT ELEC

Range Chart

For more information on this equipment or if you require a free onsite inspection, contact our team

1300 36 2666



Specifications

	Working height	9.80 m
	Platform height	7.90 m
H	Platform length	2.50 m
I	Platform width	1.50 m
	Safe working load	567 kg
E	Wheelbase	1.90 m
	Ground clearance	0.20 m
	Gradeability (stowed)	40 %
	Turning radius (inside)	3.70 m
	Turning radius (outside)	1.50 m
A	Stowed height (guardrails)	2.40 m
B	Stowed height (platform)	1.20 m
C	Stowed length	2.70 m
D	Width	1.17 m
	Overall weight (approx.)	2100 kg

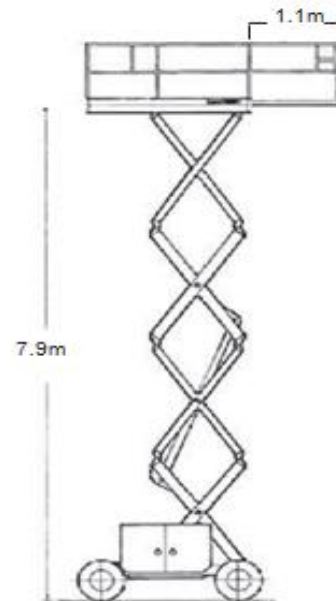
26' SCISSOR LIFT SRT



For more information on this equipment or if you require a free onsite inspection, contact our team

1300 36 2666

Range Chart



Specifications

Working height	9.80 m
Platform height	7.90 m
Platform length	2.22 m
Platform width	1.65 m
Safe working load	510 kg
Wheelbase	2.00 m
Guardrail height	1.10 m
Toeboard height	0.15 m
Gradeability (stowed)	35 %
Turning radius (inside)	2.56 m
Turning radius (outside)	4.30 m
Stowed height (guardrails)	2.52 m
Stowed length	2.68 m
Stowed length (with stabilisers)	3.37 m
Width	1.80 m
Overall weight (approx.)	2300 kg
Weight (approx. with stabilisers)	2560 kg

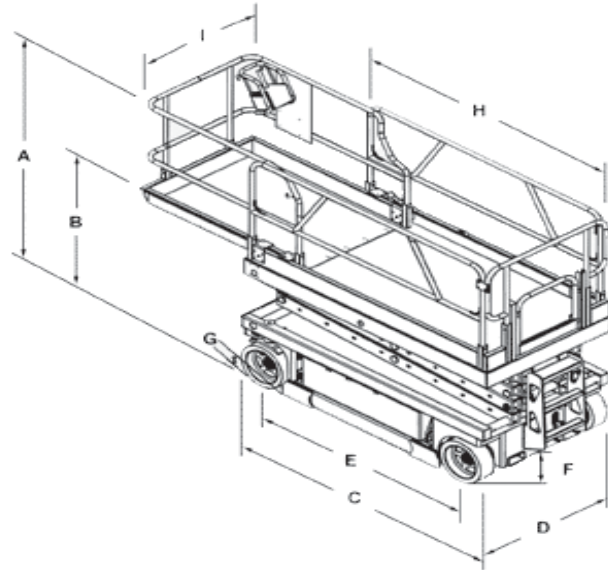
www.boomlogistics.com.au

32' HAULOTTE SCISSOR LIFT ELEC

Range Chart

For more information on this equipment or if you require a free onsite inspection, contact our team

1300 36 2666



Specifications

	Working height	12.00 m
	Platform height	10.00 m
H	Platform length	2.30 m
I	Platform width	1.20 m
	Safe working load	150 kg
F	Ground clearance	0.13 m
E	Wheelbase	1.86 m
	Gradeability	23 %
	Turning radius (inside)	2.50 m
	Turning radius (outside)	0.20 m
A	Stowed height (guardrails)	2.38 m
B	Stowed height (platform)	1.26 m
C	Stowed length	2.31 m
D	Width	1.20 m
	Overall weight (approx.)	2630 kg

32' SCISSOR LIFT GENIE SRT

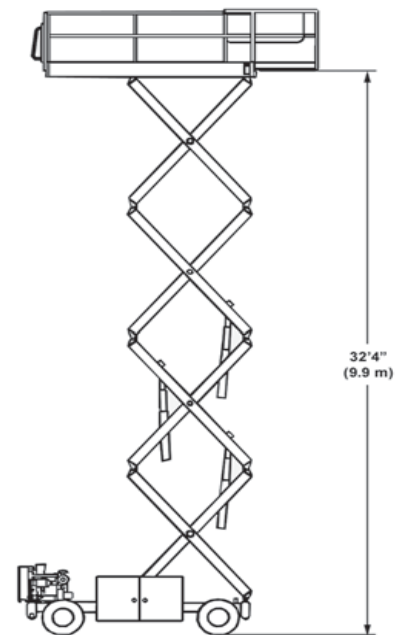
For more information on this equipment or if you require a free onsite inspection, contact our team

1300 36 2666

Specifications

Working height	11.6 m
Platform height	9.80 m
Safe working load	454 kg
Wheelbase	2.30 m
Guardrail height	1.10 m
Toeboard height	0.15 m
Unit length	1.77 m
Unit length (with outriggers)	3.37 m
Gradeability (stowed)	35 %
Turning radius (inside)	2.60 m
Turning radius (outside)	5.00 m
Stowed height (guardrails)	2.50 m
Overall length	3.50 m
Overall width	2.00 m
Overall weight (approx.)	4153 kg

Range Chart

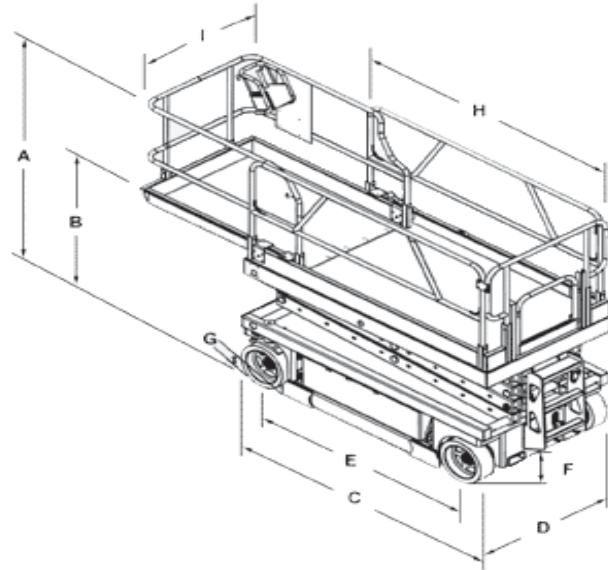


32' GENIE SCISSOR LIFT ELEC

Range Chart

For more information on this equipment or if you require a free onsite inspection, contact our team

1300 36 2666



Specifications

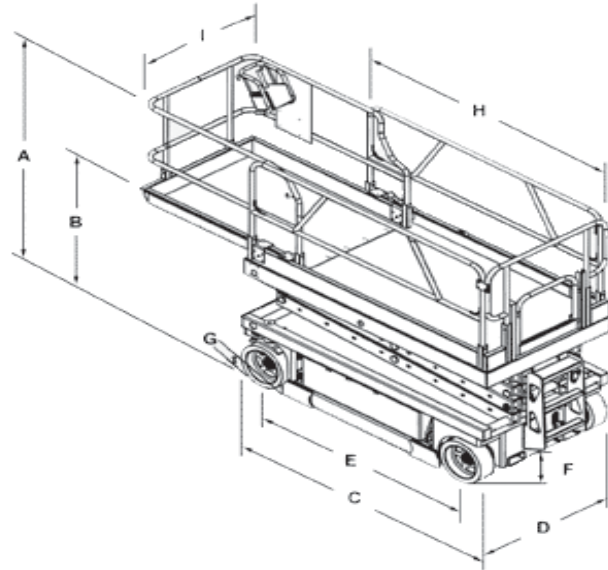
	Working height	11.75 m
	Platform height	9.75 m
H	Platform length	3.18 m
I	Platform width	1.15 m
	Safe working load	318 kg
F	Ground clearance	0.10 m
E	Wheelbase	1.85 m
	Gradeability	25 %
	Turning radius (inside)	zero
	Turning radius (outside)	2.29 m
A	Stowed height (guardrails)	2.50 m
B	Stowed height (platform)	1.30 m
C	Stowed length	2.26 m
D	Width	1.17 m
	Overall weight (approx.)	2812 kg

32' JLG SCISSOR LIFT ELEC

Range Chart

For more information on this equipment or if you require a free onsite inspection, contact our team

1300 36 2666



Specifications

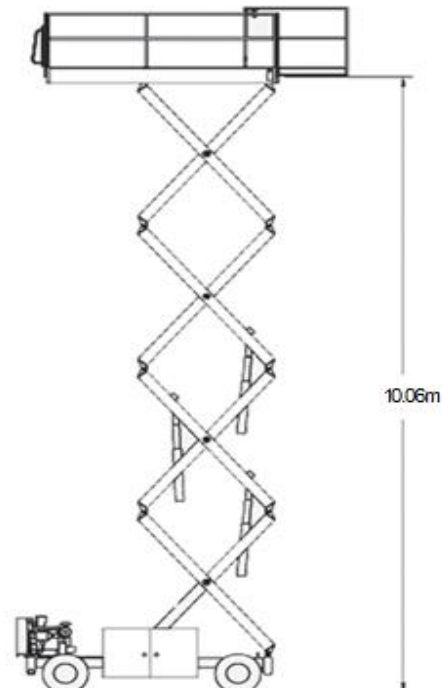
	Working height	11.68 m
	Platform height	9.68 m
H	Platform length	2.50 m
I	Platform width	1.12 m
	Safe working load	318 kg
F	Ground clearance	0.13 m
E	Wheelbase	2.09 m
	Gradeability	25 %
	Turning radius (inside)	zero
	Turning radius (outside)	2.41 m
A	Stowed height (guardrails)	2.36 m
B	Stowed height (platform)	1.26 m
C	Stowed length	2.50 m
D	Width	1.17 m
	Overall weight (approx.)	2243 kg

33' SCISSOR LIFT JLG SRT

For more information on this equipment or if you require a free onsite inspection, contact our team

1300 36 2666

Range Chart



Specifications

Working height	11.86 m
Platform height	10.06 m
Platform size	2.18 x 3.81 m
Safe working load	1020 m
Wheelbase	2.95 m
Guardrail height	1.10 m
Ground clearance	0.30 m
Unit length	3.86 m
Unit width	2.39 m
Stowed height (guardrails lowered)	1.97 m
Gradeability	45 %
Turning radius (inside)	2.71 m
Turning radius (outside)	5.93 m
Overall weight (approx.)	8578 kg



BOON
LOGISTICS

1300 36 2666

www.boomlogistics.com.au