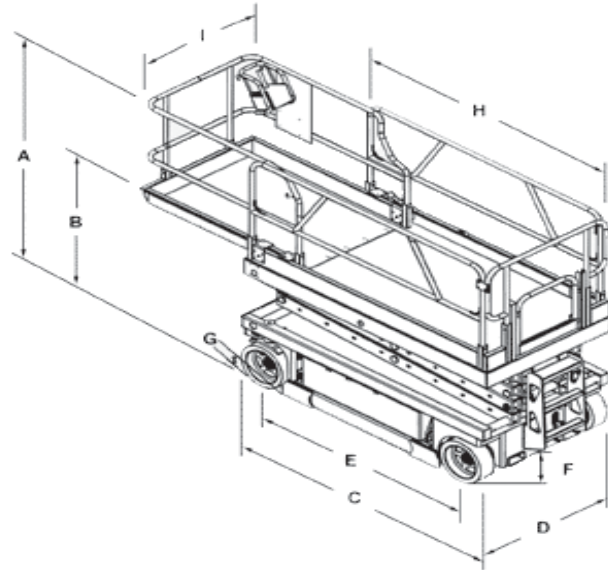


32' JLG SCISSOR LIFT ELEC

Range Chart

For more information on this equipment or if you require a free onsite inspection, contact our team

1300 36 2666



Specifications

	Working height	11.68 m
	Platform height	9.68 m
H	Platform length	2.50 m
I	Platform width	1.12 m
	Safe working load	318 kg
F	Ground clearance	0.13 m
E	Wheelbase	2.09 m
	Gradeability	25 %
	Turning radius (inside)	zero
	Turning radius (outside)	2.41 m
A	Stowed height (guardrails)	2.36 m
B	Stowed height (platform)	1.26 m
C	Stowed length	2.50 m
D	Width	1.17 m
	Overall weight (approx.)	2243 kg