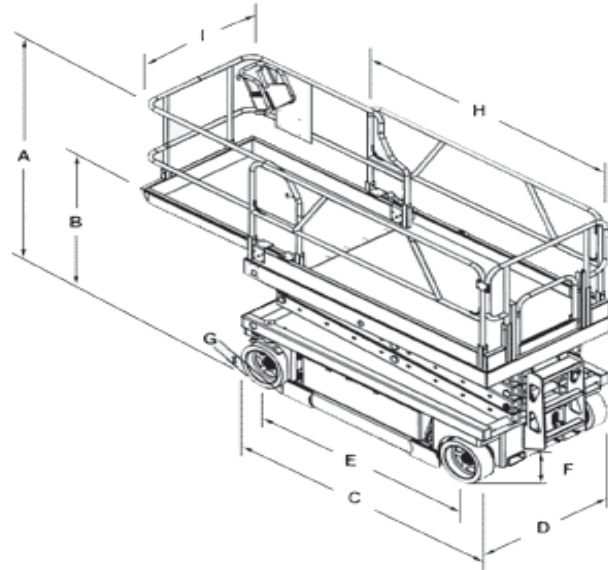


32' HAULOTTE SCISSOR LIFT ELEC

Range Chart

For more information on this equipment or if you require a free onsite inspection, contact our team

1300 36 2666



Specifications

	Working height	12.00 m
	Platform height	10.00 m
H	Platform length	2.30 m
I	Platform width	1.20 m
	Safe working load	150 kg
F	Ground clearance	0.13 m
E	Wheelbase	1.86 m
	Gradeability	23 %
	Turning radius (inside)	2.50 m
	Turning radius (outside)	0.20 m
A	Stowed height (guardrails)	2.38 m
B	Stowed height (platform)	1.26 m
C	Stowed length	2.31 m
D	Width	1.20 m
	Overall weight (approx.)	2630 kg