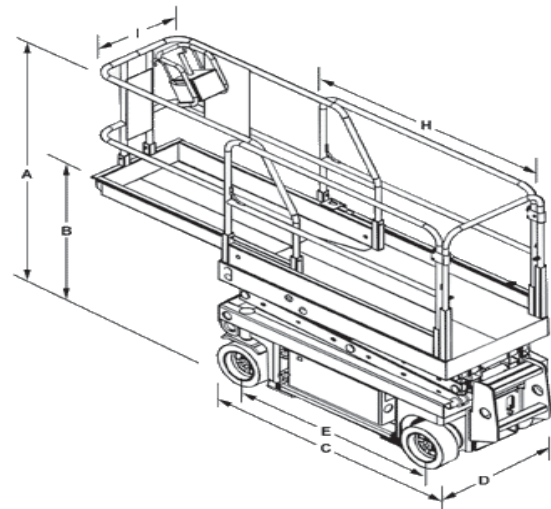


19' SCISSOR LIFT ELEC

Range Chart

For more information on this equipment or if you require a free onsite inspection, contact our team

1300 36 2666



Specifications

	Working height	7.60 m
	Platform height	5.80 m
H	Platform length (extended)	1.58 m
I	Platform width	0.65 m
	Safe working load	227 kg
E	Wheelbase	1.32 m
	Drive speeds (stowed)	4.00 km/h
	Drive speeds (raised)	1.00 km/h
	Gradeability (stowed)	30 %
	Turning radius (inside)	zero
	Turning radius (outside)	1.55 m
A	Stowed height (guardrails)	2.01 m
B	Stowed height (platform)	0.98 m
C	Stowed length	1.83 m
D	Stowed width	0.76 m
	Overall weight (approx.)	1454 kg
	Indoor use only	