



# YOUR EWVP SOLUTIONS GUIDE

**BOOM**  
LOGISTICS

# At BOOM Logistics we're much more than just an elevated work platform supplier.

For more than 40 years now we've been offering tailored EWP solutions from a comprehensive equipment fleet Australia-wide; backed by on-call sales and service assistance; reliable solutions and one of the safest working practices in the industry.

## GRADEABILITY CONVERSION

<b>Gradeability</b>	5%	10%	15%	20%	25%	30%	35%	40%	45%	50%	55%	60%
<b>Degrees</b>	2.86	5.71	8.53	11.31	14.04	16.70	19.29	21.80	24.23	26.57	28.81	30.96

### PLEASE NOTE

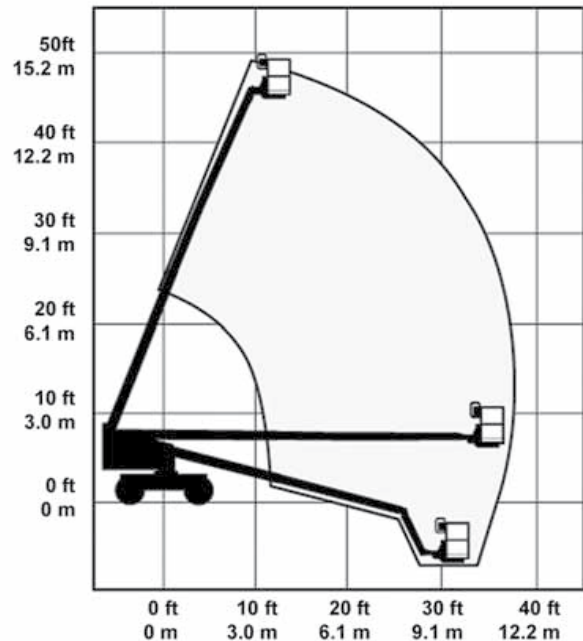
Every effort has been made to accurately specify our equipment in the following pages. Due to availability of equipment actual makes & models supplied may vary from what is indicated. BOOM Logistics specifies "Working Height" as a standard additional height of 6ft (1.8m) above the manufacturer's specified platform height.

# 45' BOOM LIFT WITH FLY BOOM

For more information on this equipment or if you require a free onsite inspection, contact our team

**1300 36 2666**

Range Chart



## Specifications

Working height	15.5 m
Platform height	13.7 m
Platform size	0.91 x 2.40 m
Safe working load	227 kg
Horizontal reach	11.20 m
Wheelbase	2.20 m
Turntable rotation	360 ° continuous
Turntable tailswing	0.864 m
Drive speeds stowed	4.50 km/h
Drive speeds raised	1.10 km/h
Gradeability	40 %
Turning radius (inside)	2.00 m
Turning radius (outside)	4.80 m
Stowed height	2.50 m
Stowed length	8.50 m
Stowed width	2.30 m
Overall weight (approx.)	6709 kg
Basket rotation	160 °

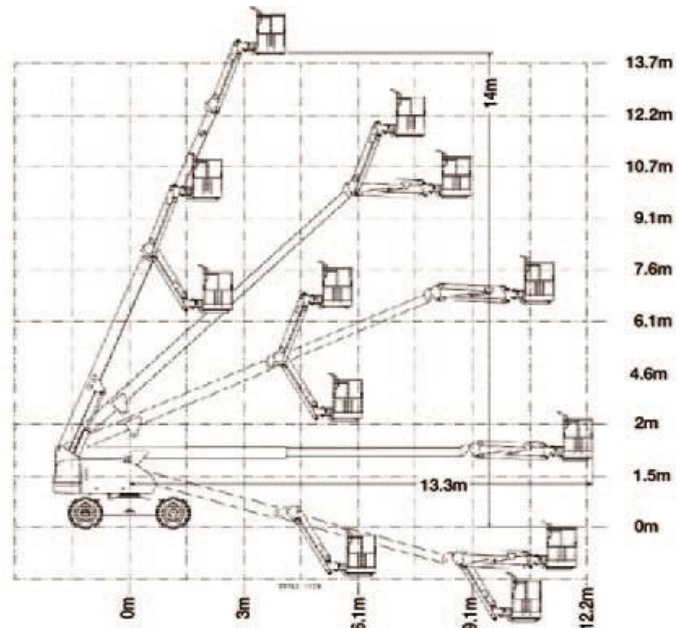
# 45' JLG BOOM LIFT WITH FLY BOOM

**BOOM**  
LOGISTICS

Range Chart

For more information on this equipment or if you require a free onsite inspection, contact our team

**1300 36 2666**



## Specifications

Working height	16.02 m
Platform height	14.02 m
Platform size	0.91 x 2.44 m
Safe working load	230 kg
Horizontal reach	12.34 m
Wheelbase	2.34 m
Turntable rotation	360 ° continuous
Turntable tailswing	0.86 m
Drive speeds stowed	7.72 km/h
Drive speeds raised	0.97 km/h
Gradeability	45 %
Turning radius (inside)	2.01 m
Turning radius (outside)	5.30 m
Stowed height	2.39 m
Stowed length	8.84 m
Stowed width	2.30 m
Overall weight (approx.)	7930 kg
Basket rotation	160 °
Jib rotation	130 °
Wind speed rating	12.50 m/sec

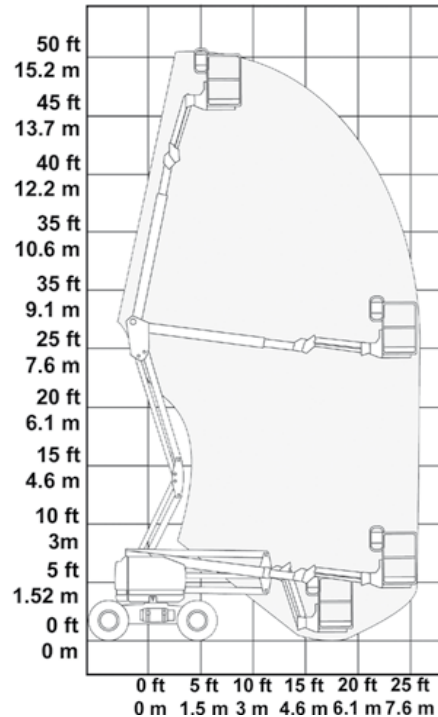
[www.boomlogistics.com.au](http://www.boomlogistics.com.au)

# 45' KNUCKLE BOOM WITH JIB DIESEL

For more information on this equipment or if you require a free onsite inspection, contact our team

**1300 36 2666**

Range Chart



## Specifications

Working height	15.7 m
Platform height	13.90 m
Platform size	0.77 x 1.83 m
Safe working load	227 kg
Wheelbase	2.03 m
Turntable rotation	359 °
Turntable tailswing	zero
Drive speeds stowed	7.72 km/h
Drive speeds raised	0.97 km/h
Gradeability (4x4)	45 %
Turning radius (inside)	1.37 m
Stowed height	2.08 m
Stowed length	6.67 m
Stowed width	2.30 m
Overall weight (approx.)	6668 kg
Platform rotation	160 °

# 60'

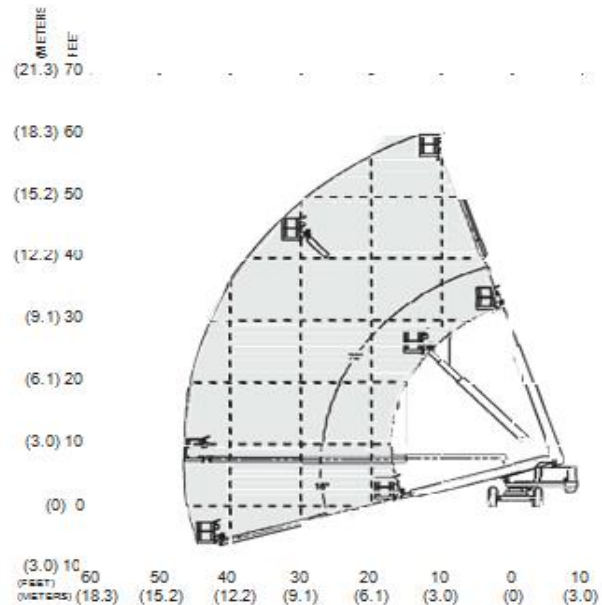
## BOOM LIFT

For more information on this equipment or if you require a free onsite inspection, contact our team

### 1300 36 2666



### Range Chart



### Specifications

Working height	20.10 m
Max Platform height	18.30 m
Horizontal reach	15.2 m
Platform size	0.76 x 1.52 m
Safe working load	227 kg
Drive speeds stowed	4.80 km/h
Drive speeds raised	1.60 km/h
Turning radius (inside)	4.70 m
Stowed length	9.40 m
Overall width	2.45 m
Wheelbase	3.10 m
Overall weight (approx.)	10000 kg
Basket rotation	180 °
240 volt power to basket	

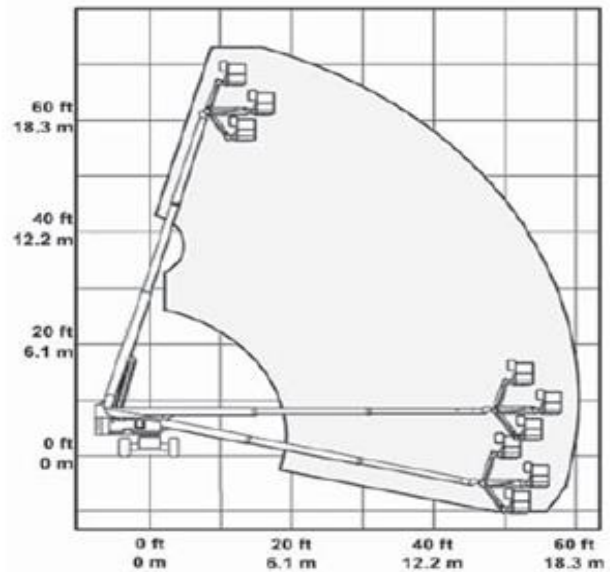
[www.boomlogistics.com.au](http://www.boomlogistics.com.au)

# 66' BOOM LIFT WITH FLY BOOM

## Range Chart

For more information on this equipment or if you require a free onsite inspection, contact our team

**1300 36 2666**



## Specifications

Working height	21.90 m
Platform height	20.10 m
Platform size	0.76 x 1.52 m
Basket rotation	180 °
Safe working load	227 kg
Horizontal reach	17.10 m
Wheelbase	3.0 m
Turntable rotation	360 ° continuous
Turntable tailswing	1.0 m
Drive speeds stowed	4.80 km/h
Drive speeds raised	1.60 km/h
Gradeability stowed	25 %
Turning radius (inside)	3.70 m
Turning radius (outside)	6.80 m
Stowed height	2.70 m
Stowed length	10.10 m
Width	2.50 m
Overall weight (approx.)	12477 kg

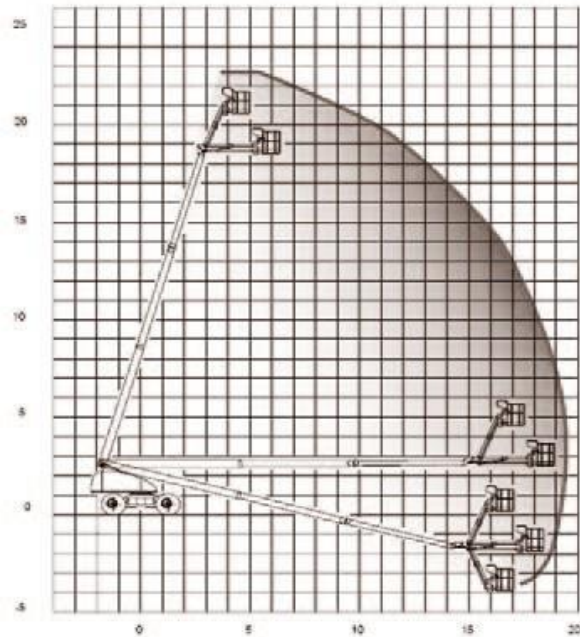
# 66' HAULOTTE BOOM WITH FLY BOOM

**BOOM**  
LOGISTICS

## Range Chart

For more information on this equipment or if you require a free onsite inspection, contact our team

**1300 36 2666**



## Specifications

Working height	22.60 m
Platform height	20.60 m
Platform size	0.80 x 1.80 m
Safe working load	230 kg
Horizontal reach	19.50 m
Wheelbase	2.49 m
Turntable rotation	360 ° continuous
Turntable tailswing	1.10 m
Drive speeds stowed	5.00 km/h
Drive speeds raised	1.50 km/h
Gradeability	40 %
Turning radius (inside)	6.15 m
Turning radius (outside)	3.00 m
Stowed height	3.00 m
Stowed length	10.60 m
Overall weight (approx.)	13110 kg
Basket rotation	180 °
Jib rotation	140 °
Wind speed rating	12.50 m/sec

[www.boomlogistics.com.au](http://www.boomlogistics.com.au)

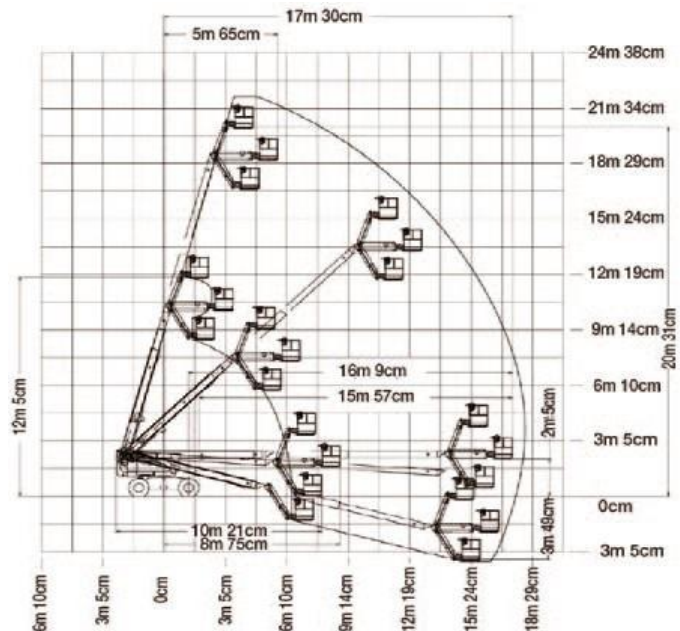


# 66' JLG BOOM LIFT WITH FLY BOOM

## Range Chart

For more information on this equipment or if you require a free onsite inspection, contact our team

**1300 36 2666**



## Specifications

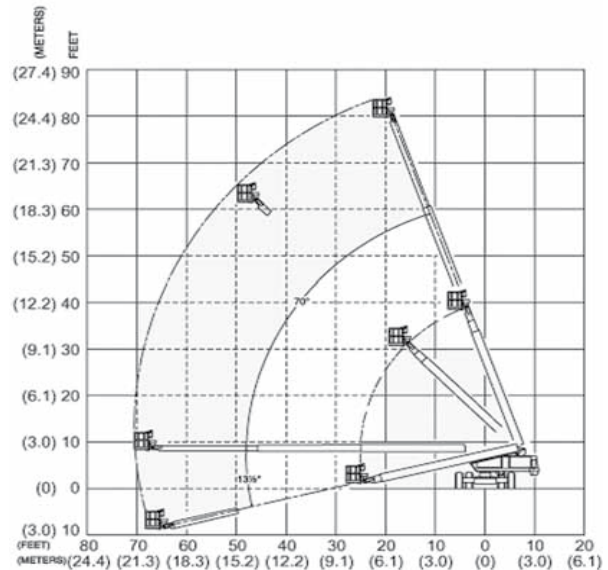
Working height	22.31 m
Platform height	20.31 m
Platform size	0.91 x 2.24 m
Safe working load	230 kg
Horizontal reach	17.30 m
Wheelbase	2.48 m
Turntable rotation	360 ° continuous
Turntable tailswing	1.14 m
Drive speeds stowed	6.80 km/h
Drive speeds raised	0.80 km/h
Gradeability	45 %
Turning radius (inside)	1.65 m
Turning radius (outside)	3.45 m
Stowed height	2.56 m
Stowed length	10.21 m
Width	4.42 m
Overall weight (approx.)	13550 kg
Basket rotation	180 °
Jib rotation	130 °
Wind speed rating	12.50 m/sec

# 80' BOOM LIFT

For more information on this equipment or if you require a free onsite inspection, contact our team

**1300 36 2666**

Range Chart



## Specifications

Working height	26.20 m
Max Platform height	24.40 m
Horizontal reach	21.70 m
Platform size	0.76 x 1.52 m
Basket rotation	160 °
Safe working load	227 kg
Turret rotation	360 ° continuous
Drive speeds stowed	4.80 km/h
Drive speeds raised	1.21 km/h
Turning radius (inside)	5.30 m
Stowed height	2.90 m
Stowed width	2.60 m
Stowed length	11.80 m
Wheelbase	3.70 m
Overall weight (approx.)	
Snorkel	13744 kg
Genie	15500 kg
Width (axles retracted)	2.40 m
Width (axles extended)	3.04 m

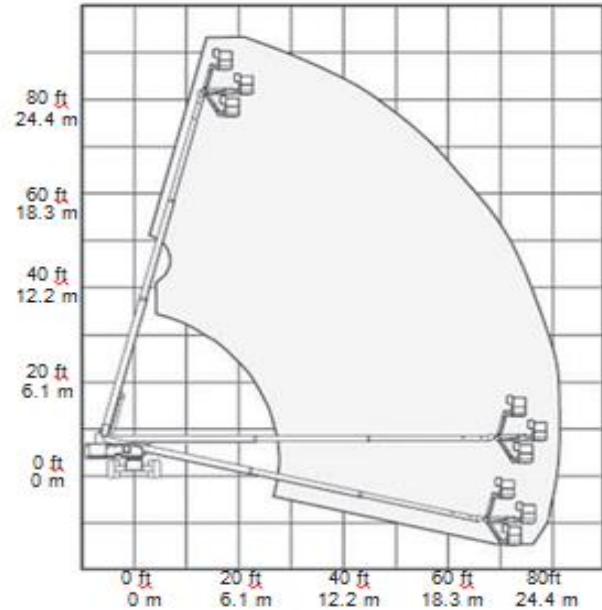
# 85' BOOM LIFT WITH FLY BOOM



## Range Chart

For more information on this equipment or if you require a free onsite inspection, contact our team

**1300 36 2666**



## Specifications

Working height	27.70 m
Platform height	25.90 m
Platform size	0.91 x 2.40 m
Basket rotation	160 °
Safe working load	227 kg
Horizontal reach	23.40 m
Wheelbase	2.74 m
Turntable rotation	360 ° continuous
Turntable tailswing	1.10 m
Drive speeds stowed	4.90 km/h
Drive speeds raised	1.10 km/h
Gradeability	38 %
Turning radius (inside)	3.20 m
Turning radius (outside)	7.00 m
Stowed height	2.80 m
Stowed length	12.40 m
Width (axles retracted)	2.40 m
Width (axles extended)	3.04 m
Overall weight (approx.)	16266 kg

[www.boomlogistics.com.au](http://www.boomlogistics.com.au)

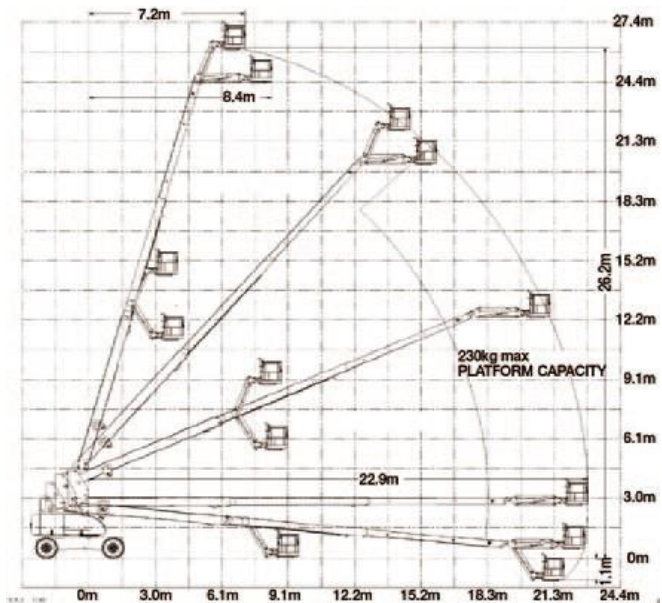
# 85' JLG BOOM LIFT WITH FLY BOOM



For more information on this equipment or if you require a free onsite inspection, contact our team

**1300 36 2666**

Range Chart



## Specifications

Working height	28.21 m
Platform height	26.21 m
Platform size	0.91 x 2.44 m
Safe working load	230 kg
Horizontal reach	22.86 m
Wheelbase	3.05 m
Turntable rotation	360 ° continuous
Turntable tailswing	1.42 m
Drive speeds stowed	5.60 km/h
Drive speeds raised	0.80 km/h
Gradeability	45 %
Turning radius (inside)	3.66 m
Turning radius (outside)	6.86 m
Stowed height	3.05 m
Stowed length	12.19 m
Width	2.49 m
Overall weight (approx.)	17200 kg
Basket rotation	180 °
Jib rotation	130 °
Wind speed rating	12.50 m/sec

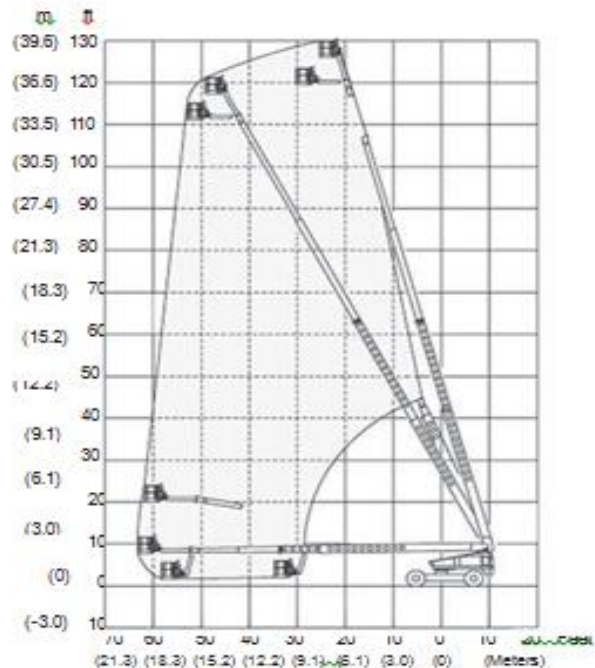
[www.boomlogistics.com.au](http://www.boomlogistics.com.au)

# 126' BOOM LIFT WITH FLY BOOM

## Range Chart

For more information on this equipment or if you require a free onsite inspection, contact our team

**1300 36 2666**



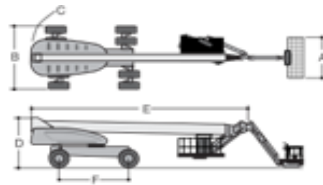
## Specifications

Working height	40.23 m
Platform height	38.40 m
Platform size	0.76 x 2.34 m
Safe working load	227 kg
Horizontal reach	19.20 m
Turntable rotation	360 ° continuous
Drive speeds high (stowed)	4.83 km/h
Drive speeds mid (stowed)	2.42 km/h
Drive speeds low (mid elevation)	1.21 km/h
Drive speeds creep (extended)	0.18 km/h
Gradeability	25 %
Turning radius (inside)	6.10 m
Stowed height	3.10 m
Stowed length	13.00 m
Width (axles retracted)	2.60 m
Width (axles extended)	3.90 m
Wheelbase	3.66 m
Overall weight (approx.)	18978 kg
Basket rotation	180 °

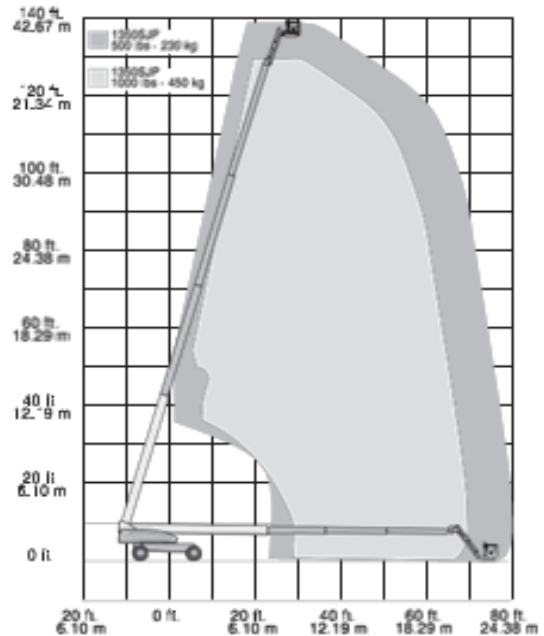
# 135' JLG BOOM LIFT

For more information on this equipment or if you require a free onsite inspection, contact our team

**1300 36 2666**



Range Chart



## Specifications

Working height	43.00 m
Max Platform height	41.15 m
Horizontal reach	24.38 m
Swing	360 ° continuous
Platform Capacity - restricted	450 kg
Platform rotation	180 °
Width (retracted)	2.49 m
Width (extended)	3.80 m
Tailswing	1.67 m
Stowed height	3.05 m
Stowed width	2.60 m
Stowed length	11.86 m
Wheelbase	3.81 m
Ground Clearance - axle	30 cm
Ground Clearance - chassis	65 cm
Overall weight (approx.)	20300 kg
Fuel tank capacity	117 L



**BOON**  
LOGISTICS

1300 36 2666

[www.boomlogistics.com.au](http://www.boomlogistics.com.au)