

60'

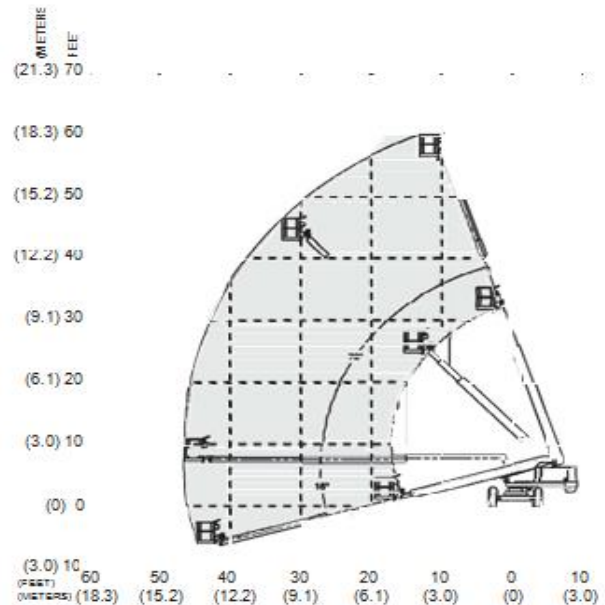
BOOM LIFT

For more information on this equipment or if you require a free onsite inspection, contact our team

1300 36 2666



Range Chart



Specifications

Working height	20.10 m
Max Platform height	18.30 m
Horizontal reach	15.2 m
Platform size	0.76 x 1.52 m
Safe working load	227 kg
Drive speeds stowed	4.80 km/h
Drive speeds raised	1.60 km/h
Turning radius (inside)	4.70 m
Stowed length	9.40 m
Overall width	2.45 m
Wheelbase	3.10 m
Overall weight (approx.)	10000 kg
Basket rotation	180 °
240 volt power to basket	

www.boomlogistics.com.au