



# YOUR EWVP SOLUTIONS GUIDE

**BOOM**  
LOGISTICS

# At BOOM Logistics we're much more than just an elevated work platform supplier.

For more than 40 years now we've been offering tailored EWP solutions from a comprehensive equipment fleet Australia-wide; backed by on-call sales and service assistance; reliable solutions and one of the safest working practices in the industry.

## GRADEABILITY CONVERSION

|                     |      |      |      |       |       |       |       |       |       |       |       |       |
|---------------------|------|------|------|-------|-------|-------|-------|-------|-------|-------|-------|-------|
| <b>Gradeability</b> | 5%   | 10%  | 15%  | 20%   | 25%   | 30%   | 35%   | 40%   | 45%   | 50%   | 55%   | 60%   |
| <b>Degrees</b>      | 2.86 | 5.71 | 8.53 | 11.31 | 14.04 | 16.70 | 19.29 | 21.80 | 24.23 | 26.57 | 28.81 | 30.96 |

### PLEASE NOTE

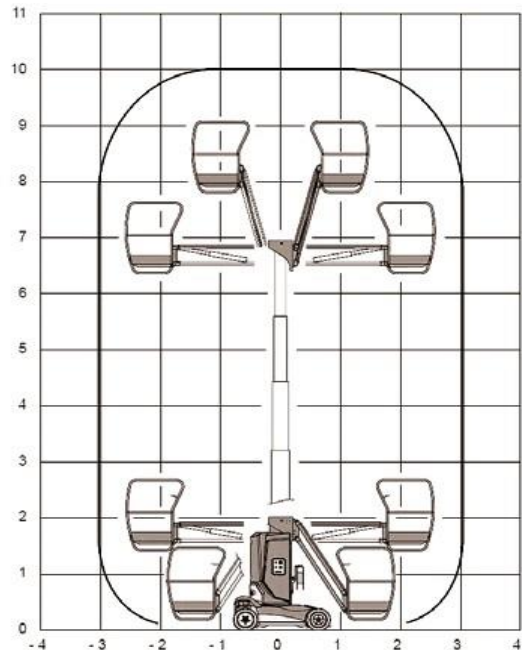
Every effort has been made to accurately specify our equipment in the following pages. Due to availability of equipment actual makes & models supplied may vary from what is indicated. BOOM Logistics specifies "Working Height" as a standard additional height of 6ft (1.8m) above the manufacturer's specified platform height.

# 30' HAULOTTE KNUCKLE BOOM LIFT

For more information on this equipment or if you require a free onsite inspection, contact our team

**1300 36 2666**

Range Chart



## Specifications

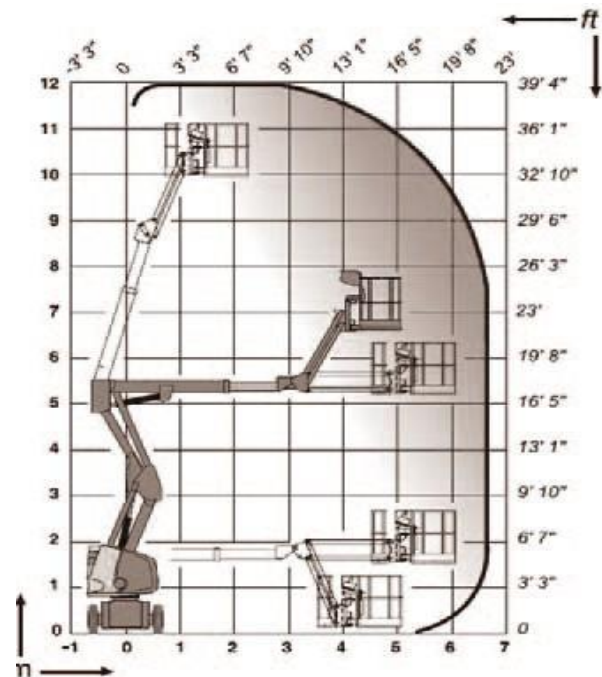
|                          |               |
|--------------------------|---------------|
| Working height           | 10 m          |
| Platform height          | 8 m           |
| Platform size            | 0.70 x 0.99 m |
| Safe working load        | 200 kg        |
| Horizontal reach         | 3.00 m        |
| Wheelbase                | 1.20 m        |
| Turntable rotation       | 345 °         |
| Turntable tailswing      | zero          |
| Drive speeds stowed      | 4.50 km/h     |
| Drive speeds raised      | 0.70 km/h     |
| Gradeability             | 23 %          |
| Turning radius (outside) | 1.88 m        |
| Stowed height            | 1.99 m        |
| Stowed length            | 2.65 m        |
| Width                    | 1.00 m        |
| Overall weight (approx.) | 2760 kg       |
| Basket rotation          | NA            |
| Jib rotation             | 130 °         |
| Wind speed rating        | 12.50 m/sec   |

# 34' HAULOTTE KNUCKLE BOOM DIESEL WITH FLY BOOM

For more information on this equipment or if you require a free onsite inspection, contact our team

**1300 36 2666**

Range Chart



## Specifications

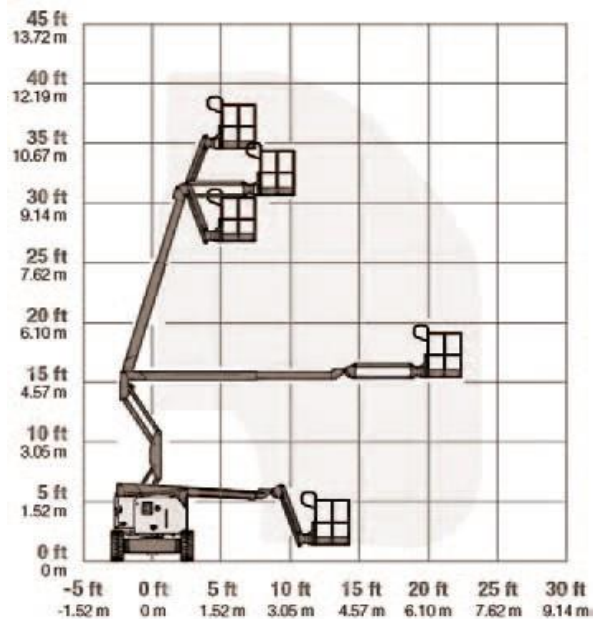
|                          |                 |
|--------------------------|-----------------|
| Working height           | 12.00 m         |
| Platform height          | 10.00 m         |
| Platform size            | 0.80 x 1.20 m   |
| Safe working load        | 230 kg          |
| Horizontal reach         | 6.70 m          |
| Wheelbase                | 1.80 m          |
| Turntable rotation       | 355 °           |
| Turntable tailswing      | zero            |
| Drive speeds stowed      | 4.40 km/h       |
| Drive speeds raised      | 0.70 km/h       |
| Gradeability (4x4)       | 25 %            |
| Turning radius (outside) | 2.85 m          |
| Stowed height            | 1.99 m          |
| Stowed length            | 5.43 m          |
| Width                    | 1.34 m          |
| Overall weight (approx.) | 5910 kg         |
| Basket rotation          | + 80 ° / - 90 ° |
| Jib rotation             | 140 °           |
| Wind speed rating        | 12.50 m/sec     |

# 34' GENIE KNUCKLE BOOM DIESEL WITH FLY BOOM

For more information on this equipment or if you require a free onsite inspection, contact our team

**1300 36 2666**

Range Chart



## Specifications

|                          |               |
|--------------------------|---------------|
| Working height           | 12.62 m       |
| Platform height          | 10.62 m       |
| Platform size            | 0.76 x 1.42 m |
| Safe working load        | 227 kg        |
| Horizontal reach         | 6.78 m        |
| Wheelbase                | 1.88 m        |
| Turntable rotation       | 355 °         |
| Turntable tailswing      | zero          |
| Drive speeds stowed      | 4.40 km/h     |
| Drive speeds raised      | 1.10 km/h     |
| Gradeability (4x4)       | 45 %          |
| Turning radius (inside)  | 1.80 m        |
| Turning radius (outside) | 4.11 m        |
| Stowed height            | 2.06 m        |
| Stowed length            | 5.66 m        |
| Width                    | 1.85 m        |
| Overall weight (approx.) | 4854 kg       |
| Basket rotation          | 180 °         |
| Jib rotation             | 139 °         |
| Wind speed rating        | 12.50 m/sec   |

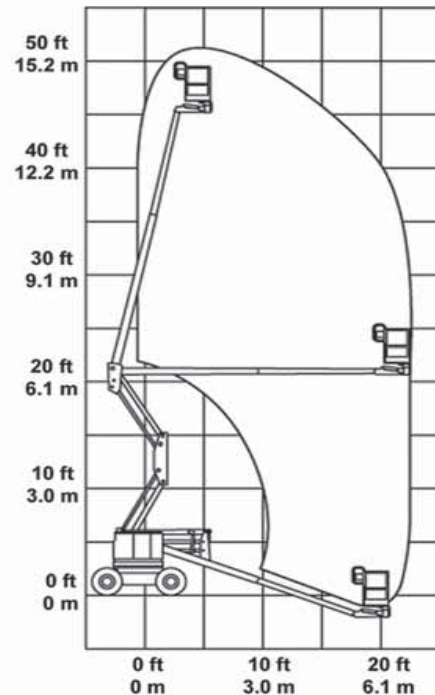
# 40' JLG KNUCKLE BOOM ELEC

For more information on this equipment or if you require a free onsite inspection, contact our team

**1300 36 2666**

**BOOM**  
LOGISTICS

Range Chart



## Specifications

|                          |               |
|--------------------------|---------------|
| Working height           | 15.5 m        |
| Platform height          | 13.7 m        |
| Platform size            | 0.76 x 1.22 m |
| Horizontal reach         | 7.24 m        |
| Swing                    | 360 °         |
| Safe working load        | 230 kg        |
| Gradeability             | 30 %          |
| Tailswing                | zero          |
| Wheelbase                | 2.01 m        |
| Ground clearance         | 0.22 m        |
| Drivespeed (stowed)      | 5.20 km/h     |
| Turning radius (inside)  | 0.61 m        |
| Turning radius (outside) | 3.15 m        |
| Stowed height            | 2.01 m        |
| Stowed length            | 6.50 m        |
| Width                    | 1.75 m        |
| Overall weight (approx.) | 6532 kg       |

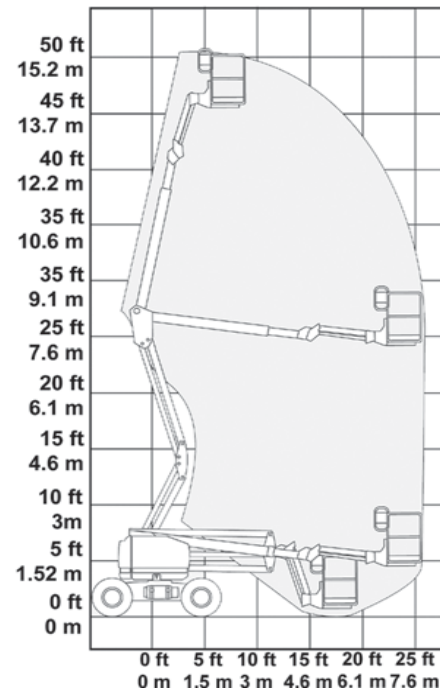
[www.boomlogistics.com.au](http://www.boomlogistics.com.au)

# 45' KNUCKLE BOOM WITH JIB DIESEL

For more information on this equipment or if you require a free onsite inspection, contact our team

**1300 36 2666**

Range Chart



## Specifications

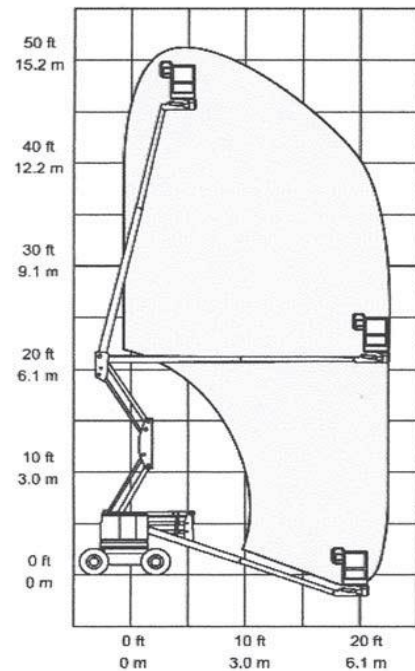
|                          |               |
|--------------------------|---------------|
| Working height           | 15.70 m       |
| Platform height          | 13.90 m       |
| Platform size            | 0.77 x 1.83 m |
| Safe working load        | 227 kg        |
| Turntable rotation       | 359 °         |
| Gradeability (4 x 4)     | 45 %          |
| Turntable tailswing      | zero          |
| Platform rotation        | 160 °         |
| Wheelbase                | 2.03 m        |
| Drivespeed (stowed)      | 7.20 km/h     |
| Drivespeed (raised)      | 0.97 km/h     |
| Turning radius (inside)  | 1.37 m        |
| Stowed height            | 2.08 m        |
| Stowed length            | 6.78 m        |
| Width                    | 2.23 m        |
| Overall weight (approx.) | 6668 kg       |

# 45' KNUCKLE BOOM DIESEL (4 x 4)

For more information on this equipment or if you require a free onsite inspection, contact our team

**1300 36 2666**

Range Chart



## Specifications

|                          |               |
|--------------------------|---------------|
| Working height           | 15.50 m       |
| Platform height          | 13.70 m       |
| Platform size            | 0.76 x 1.83 m |
| Safe working load        | 227 kg        |
| Horizontal reach         | 7.00 m        |
| Turntable rotation       | 359 °         |
| Turntable tailswing      | zero          |
| Wheelbase                | 1.90 m        |
| Gradeability (stowed)    | 40 %          |
| Platform rotation        | 160 °         |
| Drivespeed (stowed)      | 7.72 km/h     |
| Drivespeed (raised)      | 0.97 km/h     |
| Turning radius (inside)  | 2.00 m        |
| Turning radius (outside) | 4.50 m        |
| Stowed height            | 2.20 m        |
| Stowed length            | 5.50 m        |
| Width                    | 1.96 m        |
| Overall weight (approx.) | 6536 kg       |

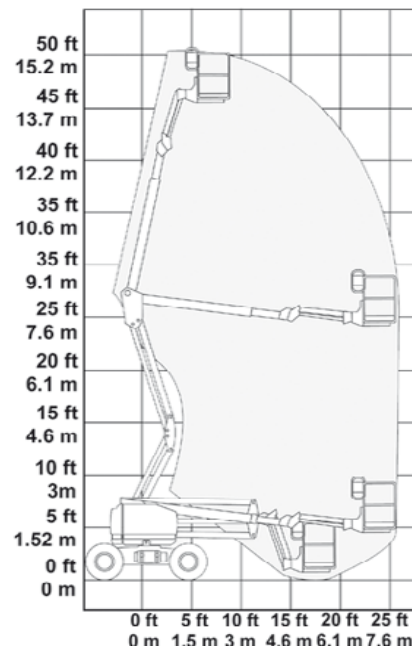


# 45' GENIE KNUCKLE BOOM WITH JIB ELEC

For more information on this equipment or if you require a free onsite inspection, contact our team

**1300 36 2666**

Range Chart



## Specifications

|                          |               |
|--------------------------|---------------|
| Working height           | 15.92 m       |
| Platform height          | 13.90 m       |
| Platform size            | 0.76 x 1.83 m |
| Safe working load        | 227 kg        |
| Horizontal reach         | 7.65 m        |
| Wheelbase                | 2.03 m        |
| Turntable rotation       | 359 °         |
| Turntable tailswing      | zero          |
| Drive speeds stowed      | 4.80 km/h     |
| Drive speeds raised      | 1.10 km/h     |
| Gradeability             | 30 %          |
| Turning radius (inside)  | 1.83 m        |
| Turning radius (outside) | 4.26 m        |
| Stowed height            | 2.00 m        |
| Stowed length            | 6.83 m        |
| Width                    | 1.79 m        |
| Overall weight (approx.) | 7394 kg       |
| Basket rotation          | 160 °         |
| Jib rotation             | 135 °         |
| Wind speed rating        | 12.50 m/sec   |

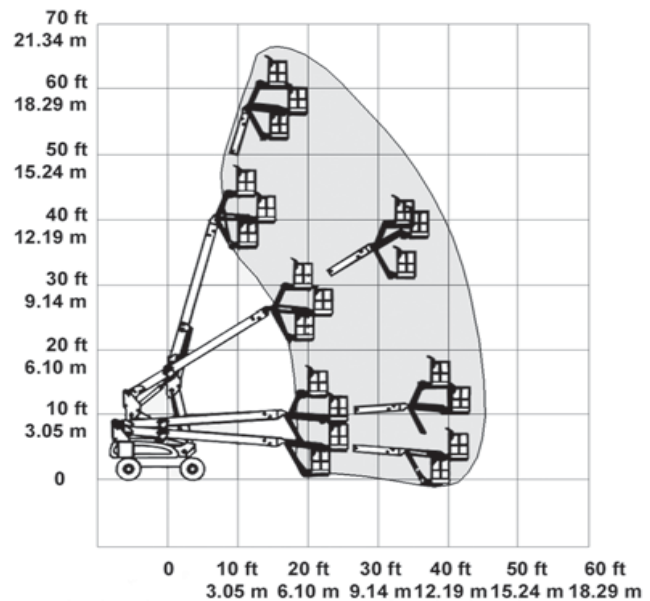
# 60' JLG KNUCKLE BOOM ELEC

For more information on this equipment or if you require a free onsite inspection, contact our team

**1300 36 2666**

**BOOM**  
LOGISTICS

## Range Chart



## Specifications

|                          |               |
|--------------------------|---------------|
| Working height           | 20.10 m       |
| Platform height          | 18.30 m       |
| Platform size            | 0.76 x 1.88 m |
| Safe working load        | 230 kg        |
| Horizontal reach         | 13.19 m       |
| Tailswing                | 1.22 m        |
| Wheelbase                | 2.74 m        |
| Gradeability             | 30 %          |
| Ground clearance (axle)  | 0.30 m        |
| Drivespeed (stowed)      | 4.80 km/h     |
| Turning radius (inside)  | 1.22 m        |
| Turning radius (outside) | 4.65 m        |
| Stowed height            | 2.57 m        |
| Stowed length (jib)      | 9.37 m        |
| Width                    | 2.44 m        |
| Overall weight (approx.) | 7491 kg       |

[www.boomlogistics.com.au](http://www.boomlogistics.com.au)

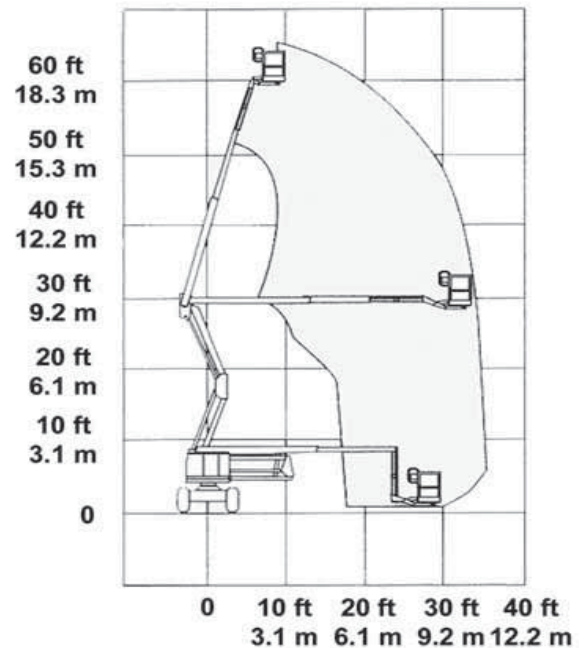
# 60' GENIE KNUCKLE BOOM ELEC

For more information on this equipment or if you require a free onsite inspection, contact our team

**1300 36 2666**

**BOOM**  
LOGISTICS

## Range Chart



## Specifications

|                          |               |
|--------------------------|---------------|
| Working height           | 20.10 m       |
| Platform height          | 18.30 m       |
| Platform size            | 0.76 x 1.83 m |
| Safe working load        | 227 kg        |
| Tailswing                | 1.22 m        |
| Wheelbase                | 2.74 m        |
| Gradeability             | 30 %          |
| Ground clearance (axle)  | 0.30 m        |
| Drivespeed (stowed)      | 4.80 km/h     |
| Turning radius (inside)  | 1.22 m        |
| Turning radius (outside) | 4.65 m        |
| Stowed height            | 2.57 m        |
| Stowed length (jib)      | 9.37 m        |
| Width                    | 2.44 m        |
| Overall weight (approx.) | 6759 kg       |

[www.boomlogistics.com.au](http://www.boomlogistics.com.au)

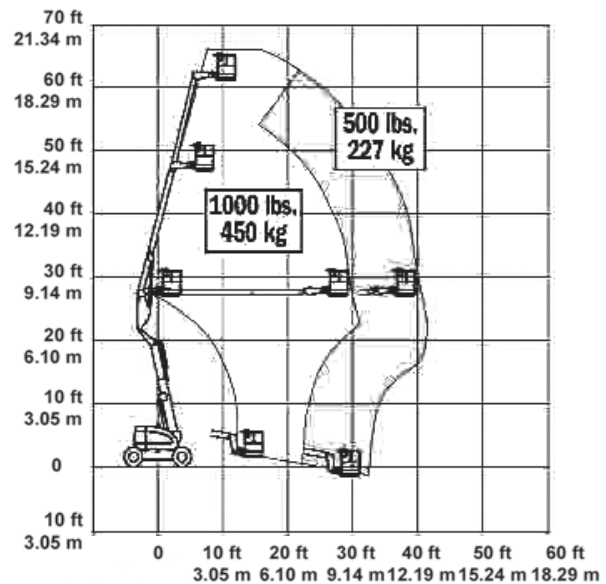
# 60' JLG KNUCKLE BOOM DIESEL

For more information on this equipment or if you require a free onsite inspection, contact our team

**1300 36 2666**

**BOOM**  
LOGISTICS

Range Chart



## Specifications

|                          |               |
|--------------------------|---------------|
| Working height           | 20.10 m       |
| Platform height          | 18.30 m       |
| Platform size            | 0.76 x 1.88 m |
| Safe working load        | 230 kg        |
| Tailswing                | 1.22 m        |
| Wheelbase                | 2.74 m        |
| Gradeability             | 30 %          |
| Ground clearance (axle)  | 0.30 m        |
| Drivespeed (stowed)      | 4.80 km/h     |
| Turning radius (inside)  | 1.22 m        |
| Turning radius (outside) | 4.65 m        |
| Stowed height            | 2.57 m        |
| Stowed length (jib)      | 9.37 m        |
| Width                    | 2.44 m        |
| Overall weight (approx.) | 6759 kg       |

[www.boomlogistics.com.au](http://www.boomlogistics.com.au)

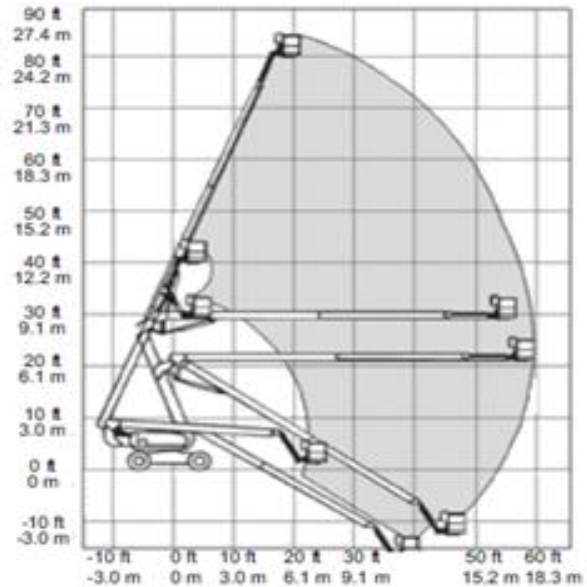
# 80' GENIE KNUCKLE BOOM LIFT



## Range Chart

For more information on this equipment or if you require a free onsite inspection, contact our team

**1300 36 2666**



## Specifications

|                               |                  |
|-------------------------------|------------------|
| Working height                | 26.20 m          |
| Platform height               | 24.40 m          |
| Platform size                 | 0.91 x 2.44 m    |
| Safe working load             | 227 kg           |
| Horizontal reach              | 18.30 m          |
| Turntable rotation            | 360 ° continuous |
| Tailswing - elevated position | 0.92 m           |
| Platform rotation             | 2.44 m           |
| Wheelbase                     | 2.74 m           |
| Gradeability 4WD              | 50 %             |
| Ground clearance              | 0.30 m           |
| Turning radius (4WD inside)   | 2.10 m           |
| Turning radius (4WD outside)  | 4.60 m           |
| Stowed height                 | 3.00 m           |
| Stowed length                 | 11.27 m          |
| Width                         | 2.49 m           |
| Overall weight (approx.)      | 16850 kg         |

[www.boomlogistics.com.au](http://www.boomlogistics.com.au)

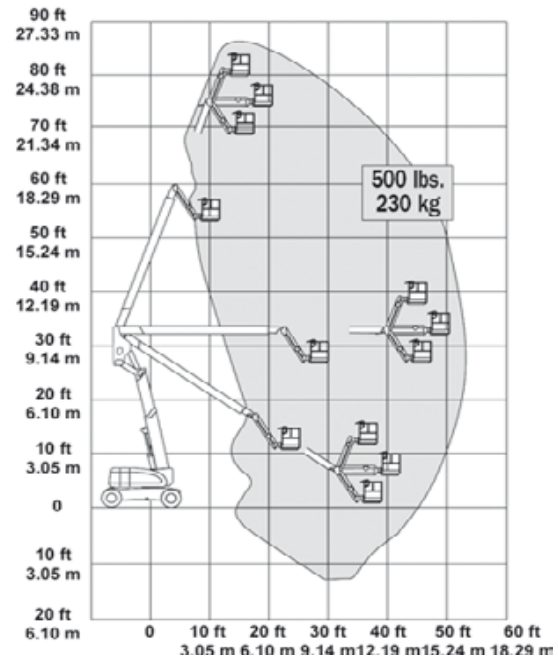
# 80' JLG KNUCKLE BOOM LIFT

For more information on this equipment or if you require a free onsite inspection, contact our team

**1300 36 2666**



Range Chart



## Specifications

|                          |                      |
|--------------------------|----------------------|
| Working height           | 26.38 m              |
| Platform height          | 24.38 m              |
| Platform size            | 0.91 x 2.44 m        |
| Safe working load        | 230 kg               |
| Horizontal reach         | 15.80 m              |
| Turntable rotation       | 360 ° non-continuous |
| Turntable tailswing      | 0.76 m               |
| Basket rotation          | 180 °                |
| Jib rotation             | 130 °                |
| Wheelbase                | 3.05 m               |
| Gradeability             | 45 %                 |
| Turning radius (inside)  | 2.13 m               |
| Turning radius (outside) | 4.42 m               |
| Drivespeed (stowed)      | 4.80 km/h            |
| Stowed height            | 3.00 m               |
| Stowed length            | 11.13 m              |
| Width                    | 2.44 m               |
| Overall weight (approx.) | 15558 kg             |
| Wind speed rating        | 12.50 m/sec          |

[www.boomlogistics.com.au](http://www.boomlogistics.com.au)

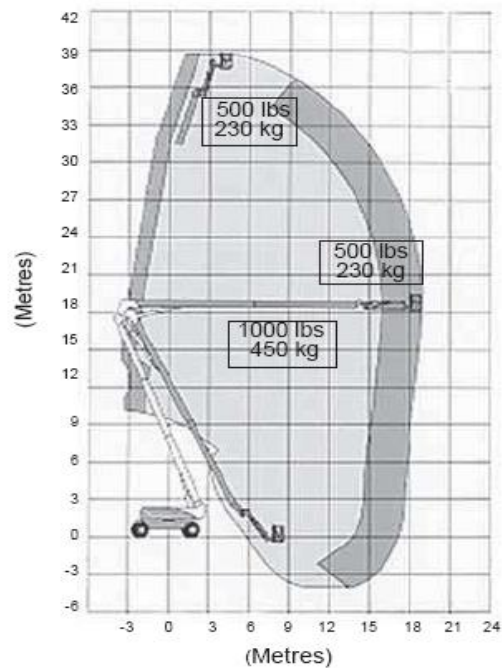
# 125' JLG KNUCKLE BOOM LIFT

For more information on this equipment or if you require a free onsite inspection, contact our team

**1300 36 2666**

**BOOM**  
LOGISTICS

Range Chart



## Specifications

|                                      |                  |
|--------------------------------------|------------------|
| Working height                       | 39.90 m          |
| Platform height                      | 38.10 m          |
| Platform up-and-over height          | 18.44 m          |
| Platform size                        | 0.91 x 2.44 m    |
| Safe working load (unrestricted)     | 450 kg           |
| Safe working load (restricted)       | 230 kg           |
| Horizontal reach                     | 19.25 m          |
| Turntable rotation                   | 360 ° continuous |
| Turntable tailswing                  | 0.91 m           |
| Gradeability                         | 45 %             |
| Turning radius (inside - axels ret)  | 4.39 m           |
| Turning radius (inside - axels ext)  | 2.44 m           |
| Turning radius (outside - axels ret) | 6.86 m           |
| Turning radius (outside - axels ext) | 5.89 m           |
| Drivespeed (4WD)                     | 5.2 - 8.30 km/h  |
| Stowed height                        | 3.05 m           |
| Stowed length                        | 11.45 m          |
| Width (axles retracted)              | 2.49 m           |
| Width (axles extended)               | 3.81 m           |
| Overall weight (approx.)             | 19958 kg         |

[www.boomlogistics.com.au](http://www.boomlogistics.com.au)

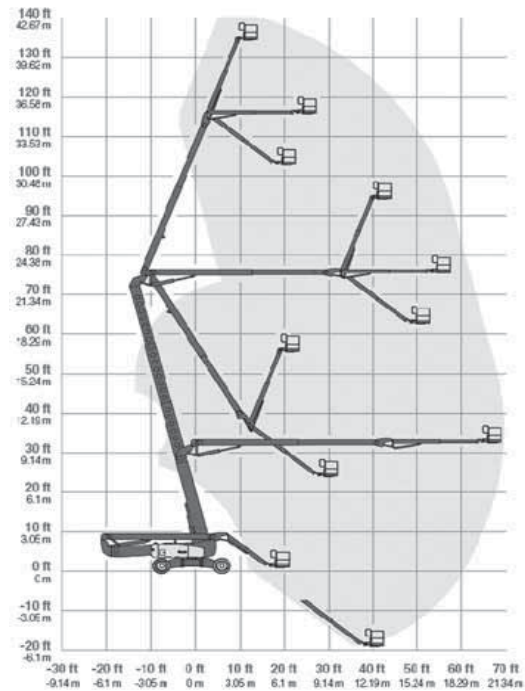
# 135' GENIE KNUCKLE BOOM LIFT



## Range Chart

For more information on this equipment or if you require a free onsite inspection, contact our team

**1300 36 2666**



## Specifications

|                                    |                  |
|------------------------------------|------------------|
| Working height                     | 43 m             |
| Platform height                    | 41.15 m          |
| Platform size 6'                   | 0.76 x 1.83 m    |
| Platform size 8'                   | 0.91 x 2.44 m    |
| Safe working load                  | 272 kg           |
| Horizontal reach (riser extended)  | 18.13 m          |
| Horizontal reach (riser retracted) | 21.26 m          |
| Turntable rotation                 | 360 ° continuous |
| Wheelbase (axles extended)         | 4.11 m           |
| Wheelbase (axles retracted)        | 4.72 m           |
| Stowed height                      | 3.07 m           |
| Stowed length                      | 12.93 m          |
| Width (axles extended)             | 3.94 m           |
| Width (axles retracted)            | 2.46 m           |
| Overall weight (approx.)           | 20255 kg         |
| Fuel tank capacity                 | 151.40 L         |

[www.boomlogistics.com.au](http://www.boomlogistics.com.au)





**BOON**  
LOGISTICS

1300 36 2666

[www.boomlogistics.com.au](http://www.boomlogistics.com.au)